

2.4GHz 24 dBi Grid Dish (ANT2DG24)

1. First, assemble the two grid halves by overlapping the 4 tong like metal flanges, and inserting the 4 connecting screws and tooth washes as shown in figure 1.

2. Next, feed the di-pole coax cable pigtail through the square hole in the center of the grid. Be sure that the di-pole polarity matches the polarity of the grid. To verify the polarities match refer to figure 2.

3. Fasten the di-pole and the mast mounting bracket using 2 of the bolt, nut, and lock washers provided. The other 2 bolts will be used to fasten only the mast mounting bracket.

4. Next, connect the di-pole sub-reflector with the screw provide.

5. Lastly, attach the U-bolt(s) around the mast and to the mounting bracket. Use only 1 U-bolt for tilting option, or both U-bolt for use in high winds.

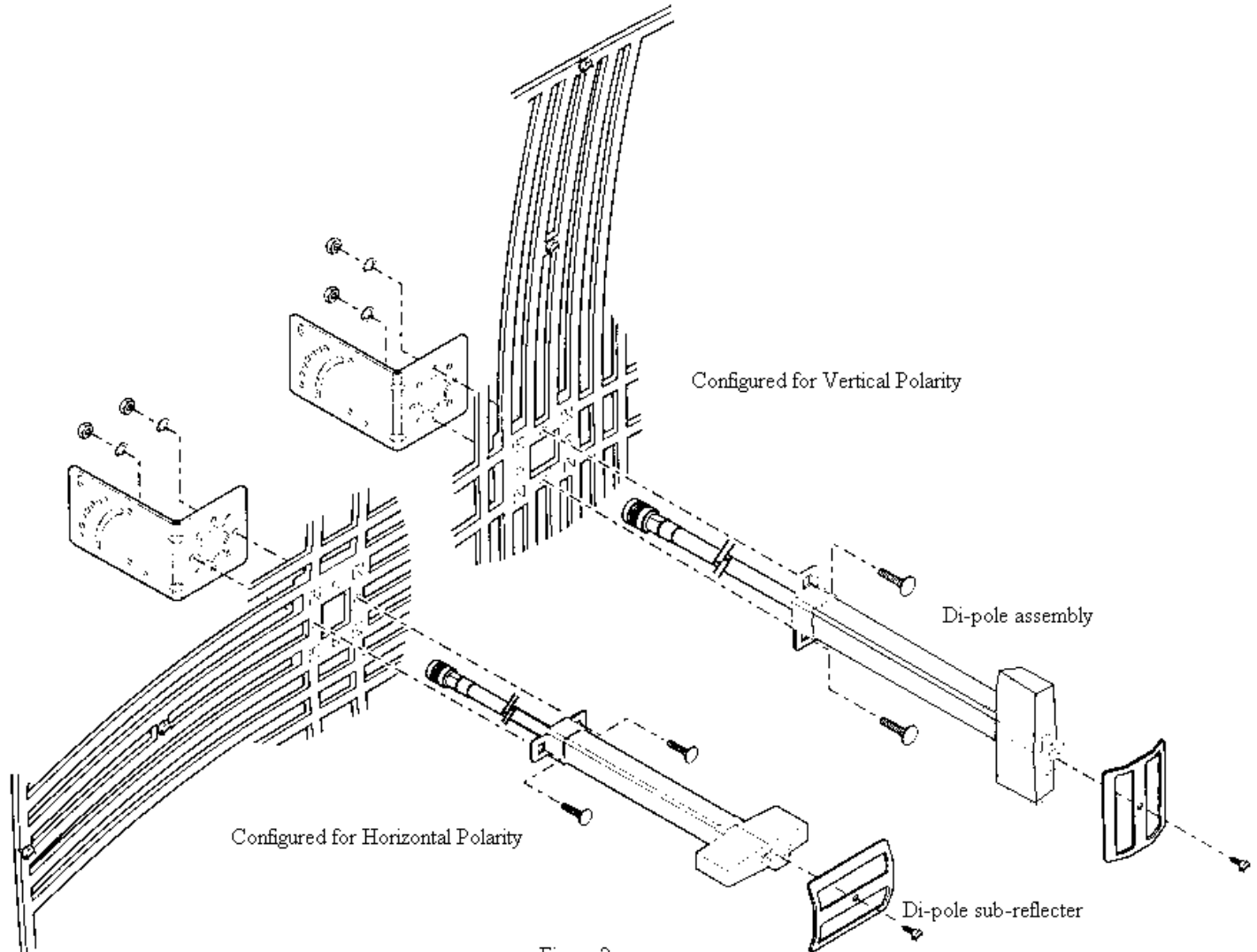
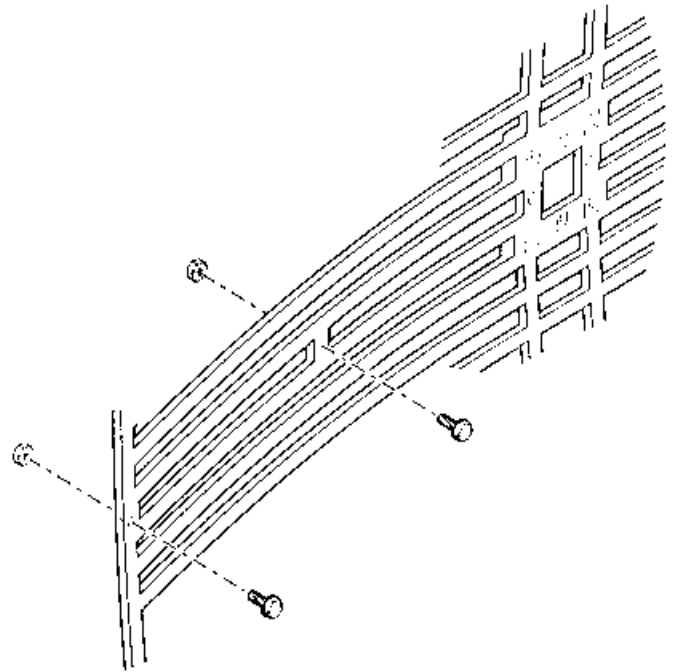


Figure 2